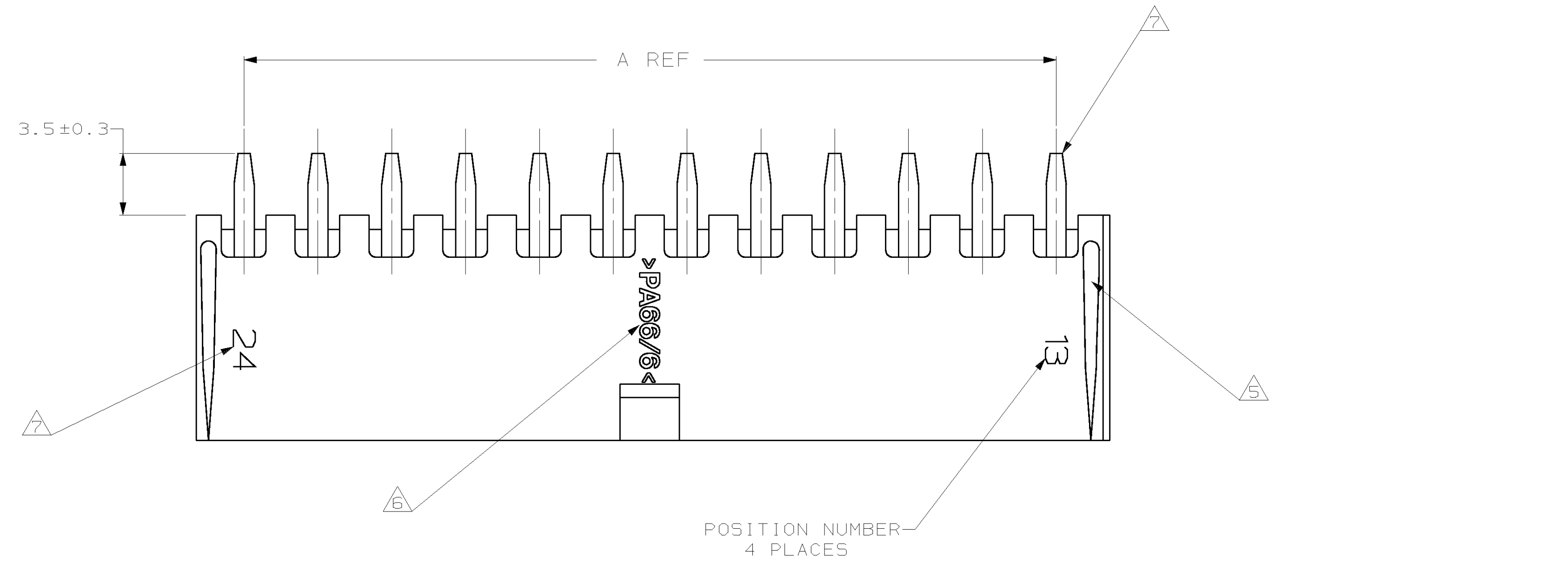
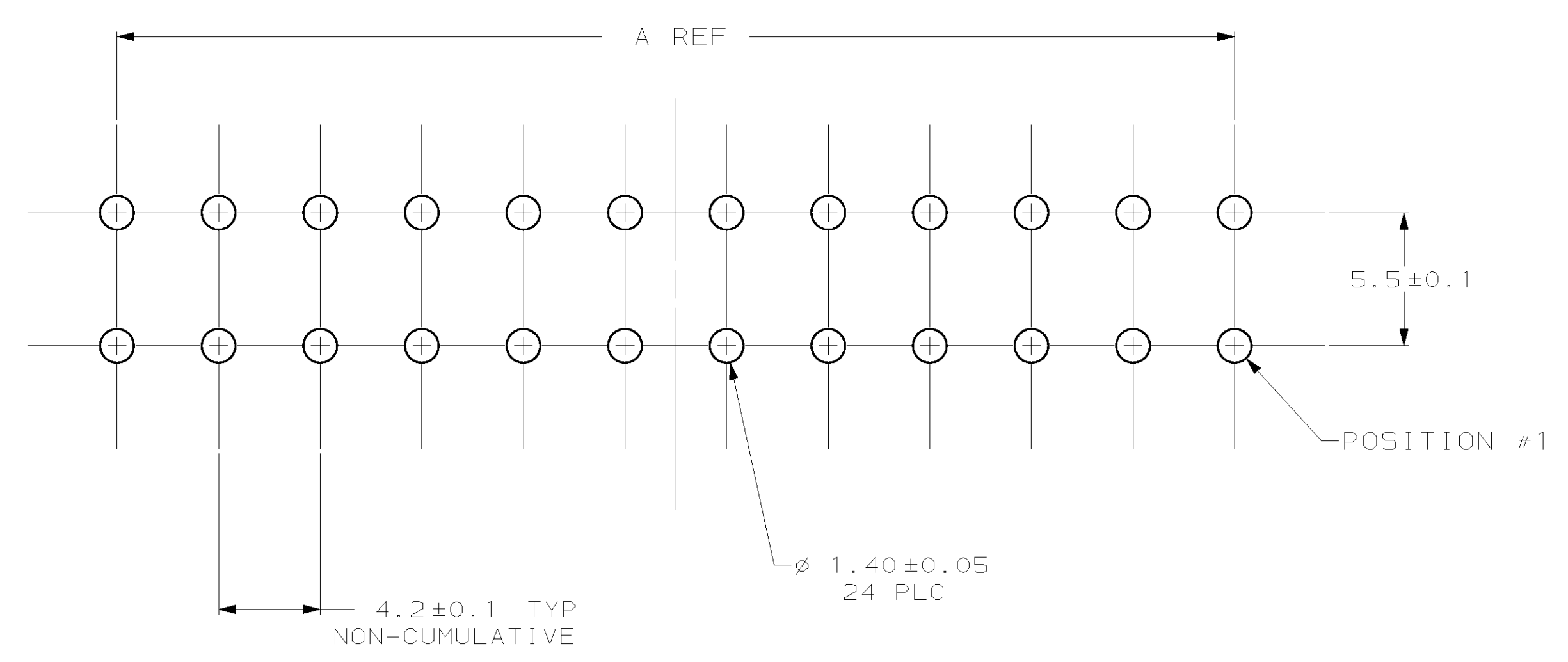
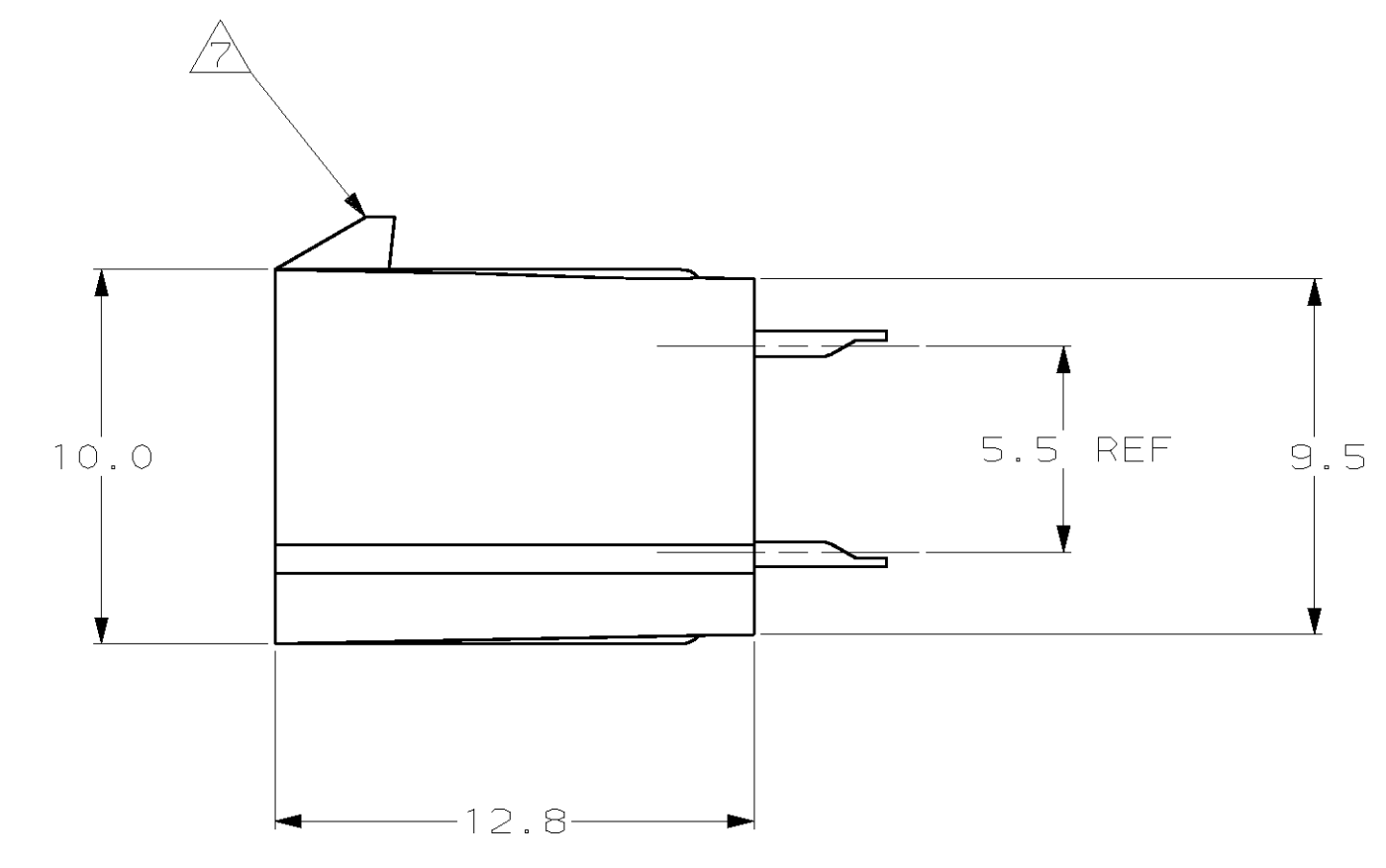
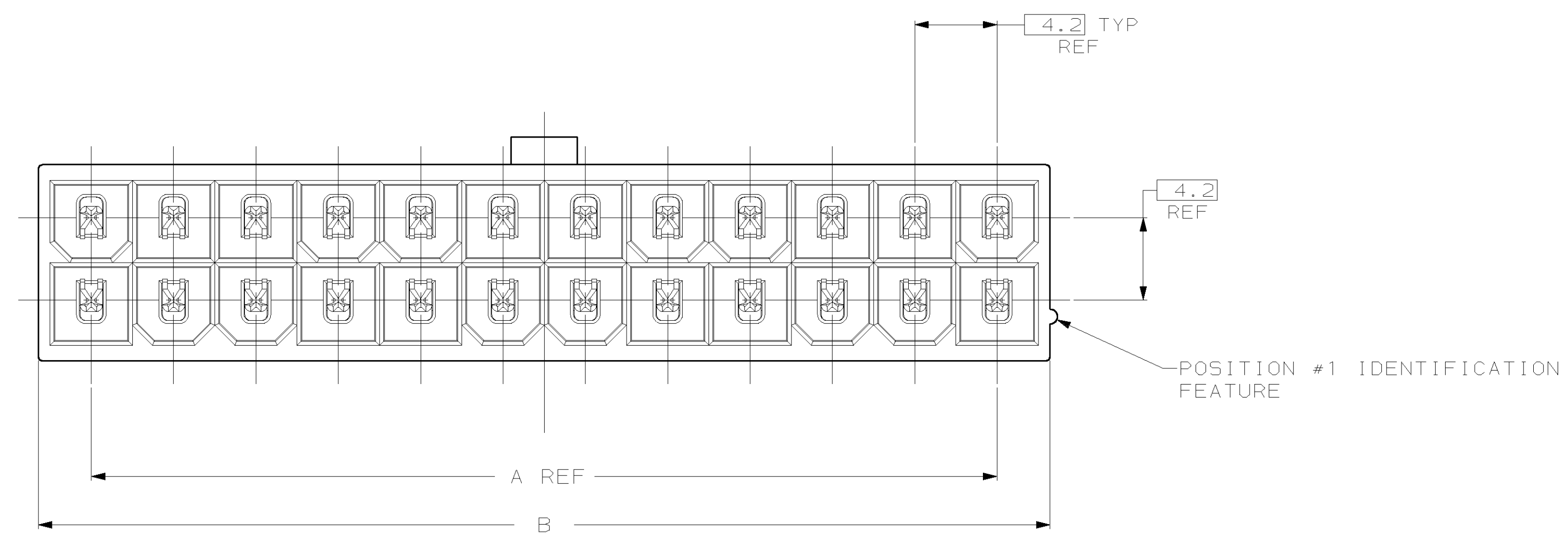


LOC	DIST	REVISIONS				
		REV	DESCRIPTION	DATE	OWN	APVD
CM	53	0	RELEASED PER NPR 99-	12MAY99	AH	CC



- 1 MATERIAL: HOUSING - NYLON, UL94V-0 (COLOR - WHITE, COLOR OF PARTS MAY VARY).
CONTACTS - 0.25 THK COPPER ALLOY.
- 2 CONTACT FINISH: 0.003 MIN THK TIN-LEAD OVER 0.00127 MIN THK NICKEL OVER ENTIRE CONTACT.
- 3. SOLDER TAIL MEETS AMP SOLDERABILITY SPECIFICATION 109-11-2.
- 4. MATES WITH SIMILARLY PLATED AMP-DUAC™ POWER CONNECTOR RECEPTACLE HOUSINGS/SOCKET CONTACTS.
- 5 RIBS ON FOUR CORNERS OPTIONAL.
- 6 AMP LOGO AND MATERIAL ID MAY BE LOCATED ON EITHER LONG SIDE OF PART.
- 7 SIZE, SHAPE OR STYLE OF THIS FEATURE MAY VARY.



RECOMMENDED MOUNTING HOLE PATTERN
FOR 1.78 MAX THICK P.C. BOARD
COMPONENT SIDE SHOWN

51.6	46.2	24	2-794668-4
47.4	42.0	22	2-794668-2
43.2	37.8	20	2-794668-0
39.0	33.6	18	1-794668-8
34.8	29.4	16	1-794668-6
30.6	25.2	14	1-794668-4
26.4	21.0	12	1-794668-2
22.2	16.8	10	1-794668-0
18.0	12.6	8	794668-8
13.8	8.4	6	794668-6
9.6	4.2	4	794668-4
5.4	0.0	2	794668-2
B	A	NO. OF POSITIONS	PART NO

THIS DRAWING IS A CONTROLLED DOCUMENT.

AWN A. HOLT 12 MAY 99
 CHK C. CASH 12 MAY 99
 APVD C. CASH 12 MAY 99

DIMENSIONS: mm

TOLERANCES UNLESS OTHERWISE SPECIFIED:

0 PLC	±
1 PLC	±0.2
2 PLC	±0.13
3 PLC	±
4 PLC	±
ANGLES	± 40° 30'

MATERIAL 1 FINISH 2

NAME: AMP Incorporated, Harrisburg, PA 17105-3608

PRODUCT SPEC: ASSEMBLY, HEADER, VERTICAL, TIN-LEAD PLATED, W/O PEGS, W/O DRAIN HOLES, 94V-0, AMP-DUAC™ POWER CONNECTOR

APPLICATION SPEC: 108-1699

SIZE: A1

WEIGHT: -

CUSTOMER DRAWING

SCALE: 5:1

SHEET: 1 OF 1

REV: 0

